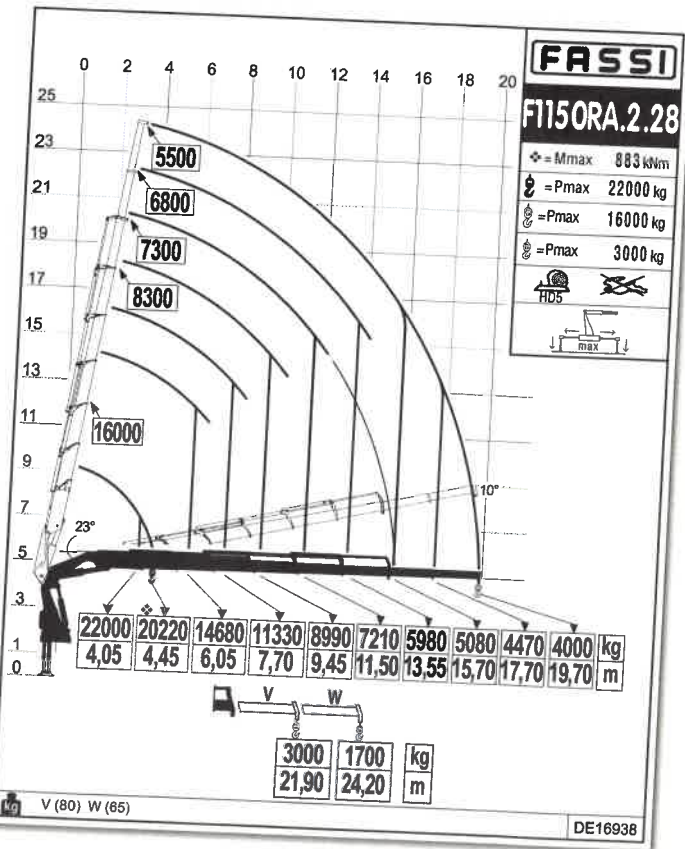


FASSI

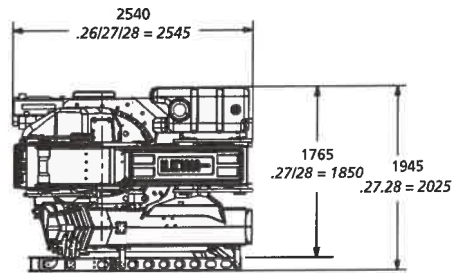
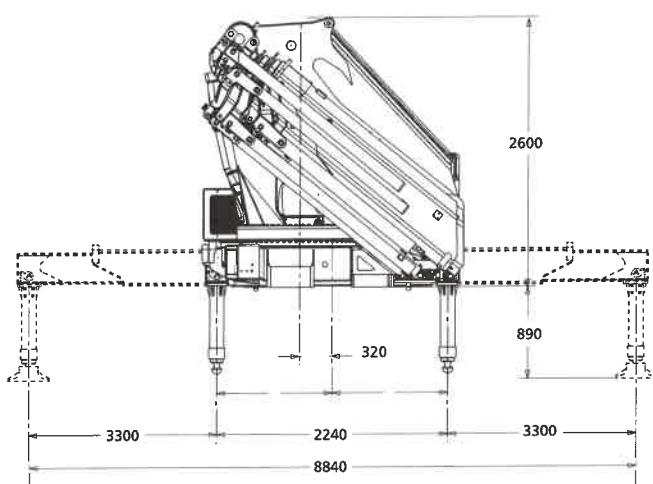
F115ORA.2.28

- ◆ = Mmax 883 kNm
- ⊗ = Pmax 22000 kg
- ⊙ = Pmax 16000 kg
- ⊕ = Pmax 3000 kg

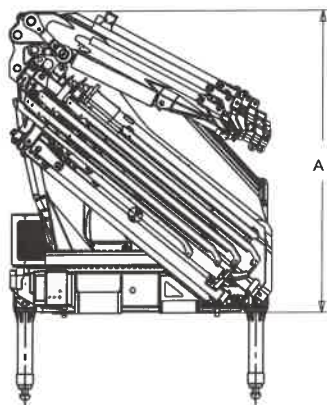


DE16938

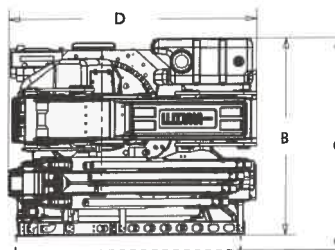
F1150RA xhe-dynamic



L SERIE



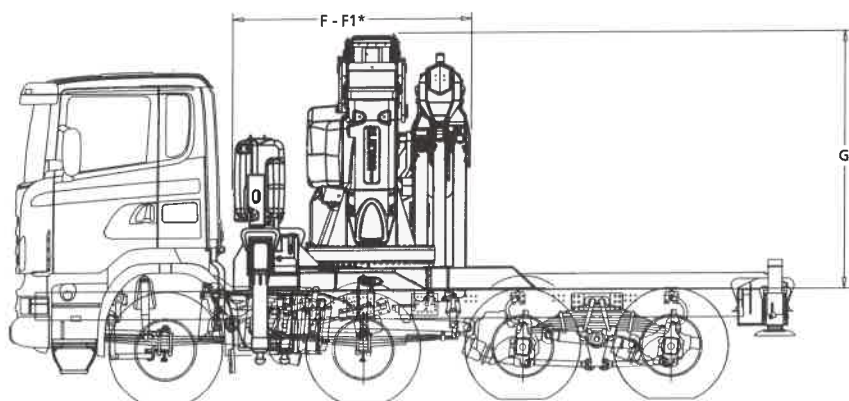
	A
.25/L616	2850 mm
.26/L616	2850 mm
.27/L426	2915 mm
.27/L616	2835 mm
.28/L426	2915 mm
.28/L616	2915 mm



	B	C	D
.25/L616	1945 mm	2100 mm	2550 mm
.26/L616	1945 mm	2100 mm	2545 mm
.27/L426	2025 mm	2180 mm	2550 mm
.27/L616	2025 mm	2180 mm	2545 mm
.28/L426	2025 mm	2180 mm	2550 mm
.28/L616	2025 mm	2180 mm	2550 mm

L426	1200 kg	L616	1400 kg
RL	36 kg	RL	36 kg
SL	25 kg	SL	25 kg
TL	15 kg	TL	15 kg

LOW PROFILE



	F	F1*	G
.24	2245 mm	2425 mm	2415 mm
.25	2245 mm	2425 mm	2415 mm
.26	2245 mm	2425 mm	2415 mm
.27	2335 mm	2505 mm	2415 mm
.28	2335 mm	2505 mm	2415 mm
.25/L61	2425 mm	2580 mm	2665 mm
.26/L61	2425 mm	2580 mm	2665 mm
.27/L42	2505 mm	2660 mm	2710 mm
.27/L61	2505 mm	2660 mm	2655 mm
.28/L42	2505 mm	2660 mm	2730 mm
.28/L61	2505 mm	2660 mm	2730 mm

*With supplementary hoses - Con tubazioni supplementari
Avec tuyauterie supplémentaire - Mit Zusätzlichenleitungen
Con tuberias suplementarias - Met extra functie slangen